



TS4-A-S

Module-level PV Rapid Shutdown with Monitoring

The TS4-A-S (Safety) is the advanced add-on module-level solution that brings safe and smart module functionality to standard PV modules for higher reliability. Ensure safety by adding safety features to new installations or by upgrading existing PV systems.

The TS4-A-S complies with NEC 2017 and 2020 690.12 Rapid Shutdown specifications when installed on each module and accompanied by the Tigo Access Point (TAP) and the Cloud Connect Advanced (CCA). Module-level DC production data, as well as data from other Modbus connected devices, can be analyzed via Tigo's Energy Intelligence Software when connected to the cloud.

The TS4-A-S with UHD-Core technology and expanded specifications supports PV modules up to 700W, and 15A.

Included Features



Safety

Enhanced **safety** for 2017 and 2020 NEC 690.12 rapid shutdown compliance



Monitoring

Module-level **monitoring** for energy production tracking and system management

Easy Installation

Snap to standard module frame or remove clips for rack mounting

Smart Commissioning

Configure and commission with your Android or iOS mobile device

Rapid Shutdown

Secure your PV system with local shutdown for maintenance



TS4-A-S SPECIFICATIONS

Environmental

Operating Temperature Range	UL: -30°C to +75°C (-22°F to +167°F) IEC: -40°C to +85°C (-40°F to +185°F)
Outdoor Rating	IP68, NEMA 3R

Mechanical

Dimensions	138.4mm x 139.7mm x 22.9mm
Weight	490g

Electrical

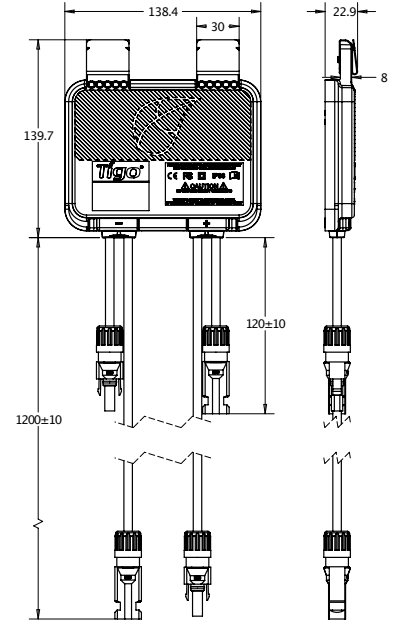
Max Input Voltage (V _{oc} @ Lowest Temperature)	90V
Input Voltage Range	16 - 90V*
Maximum Current	15A
Maximum Power	700W
Cable Length (in/out)	0.12/1.2m (standard), 0.62/1.2m (optional)
Connectors	MC4 (standard), EVO2 (optional)
Communication Type	Wireless
Rapid Shutdown UL Listed (NEC 2014 & 2017 690.12)	Yes
Rapid Shutdown Time Limit	30 secs or less**
Conductor AWG Range	10-12AWG

PVRSE Controlled Conductors ≤30 Vdc, ≤240VA, ≤8A**

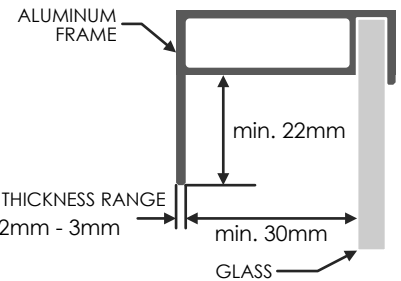
Cloud Connect Advanced (CCA) is required for monitoring and TAP is required for rapid shutdown with TS4-A-S.

*Maximum output voltage of the TS4 is dependent on the PV module voltage. Refer to PV modules nameplate.

**Limits are based on NEC 690.12 rapid shutdown requirements.



Module frame specifications for mounting TS4-A



ORDERING INFORMATION

Standard	Description
466-00252-32	15A, 700W, 1500VUL/1000VIEC, 1.2M Cable, MC4
Options	Description
466-00252-62	15A, 700W, 1500VUL/1000VIEC, 0.62/1.2M Cable, MC4
466-00261-32	15A, 700W, 1500VUL/IEC, 1.2M Cable, EVO2
466-00261-62	15A, 700W, 1500VUL/IEC, 0.62/1.2M Cable, EVO2

For sales info:

sales@tigoenergy.com or 1.408.402.0802

For product info:

Visit tigoenergy.com/products

For technical info:

Visit support.tigoenergy.com

For additional info and product selection assistance, use Tigo's online design tool at tigoenergy.com/design

